

925-8B

925-32T

Duplex® Ceiling Loudspeaker System



COMMERCIAL

General Product Description

The EV (Electro-Voice®) 925-8B series Duplex® loudspeaker system is a two-way loudspeaker featuring a rectangular-coverage 90° x 90° horn driven by a 1-inch compression driver coaxially mounted to a 12-inch low frequency cone and high temperature voice-coil assembly. The 925-8B utilizes a dual section crossover network with a self-resetting protection circuit for the compression driver. In order to operate the loudspeaker from 70.7V/100V distribution lines, an aluminum plate is utilized to mount the 15732 matching transformer.

The 925-8B Duplex loudspeaker system provides a square coverage pattern, high efficiency, high maximum output, ease of installation, and wide-range reproduction of music and voice for different venues such as churches, auditoriums, hotels and civic centers.

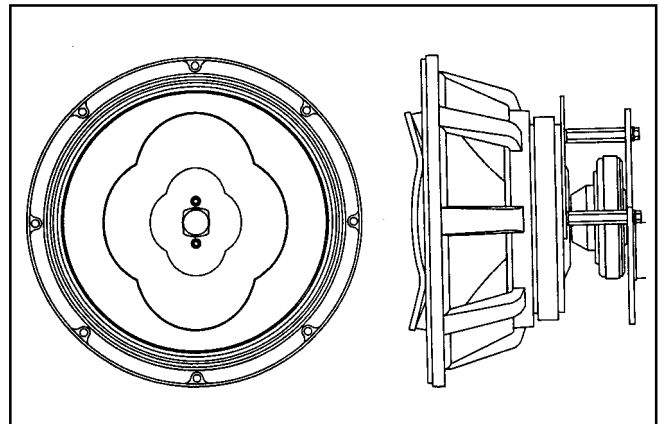
The 925-32T utilizes a 15732 transformer to offer a selection of 4, 8, 16 and 32 watts to the loudspeaker system using either 70-V or 100-V lines.

Selecting a Transformer Tap for Transformer Models

The transformer tap of choice can be made by making connection between the ground lead and any of the wattage taps indicated on the transformer label. Also refer to the label to determine the appropriate wattage for the line voltage used.

Architects' and Engineers' Specifications

The loudspeaker system shall be of the ceiling Duplex type consisting of a single highfrequency compression driver coaxially mounted to a single 305-mm (12-in.) high-power woofer using a 90° x 90° coverage pattern horn. The system shall be



capable of using an optional transformer if so desired. The loudspeaker system shall meet the following performance criteria: Power handling shall be capable of a 250 watt shaped pink-noise signal with a 6-dB crest factor. Frequency response shall be smooth and uniformly usable from 60 Hz to 20 kHz. Pressure sensitivity shall be 97 dB SPL when measured at one meter on axis with one watt of pink noise. The loudspeaker system shall weigh 9.5 kg (21 lb).

The loudspeaker system shall be the 925-8B with no transformer.

Specifications:

Frequency Response (see Figure 1): 60-20 kHz

Pressure Sensitivity, 60-20 kHz: 97 dB SPL

Beamwidth,

Horizontal, 500-20 kHz: 90° (+15°, -40°)

Vertical, 500-20 kHz: 90° (+15°, -40°)

Directivity Factor, R_θ (Q), 500-20 kHz: 9.1 (+7.7, -4.8)

Directivity Index, D_i, 500-20 kHz: 9.6 dB (+2.7 dB, -3.3 dB)

Power Handling: 250 watts

Maximum Long-Term Output: 120 dB SPL

LF (60-20 kHz, 250 watts input):

Impedance:

Minimum 7.0 ohms

Nominal 8.0 ohms

Components,

LF: 305-mm (12-in.), high efficiency woofer

Thiele-Small LF Driver Parameters

f_s (free-air resonance frequency): 53 Hz

Q_{ES} (electromagnetic Q at f_s): 0.219

Q_{MS} (mechanical Q at f_s): 4.03

Q_{TS} (total Q at f_s): 0.208

V_{AS} (volume of air having same acoustic compliance as driver suspension): 60.0 liters (2.12 ft³)

η₀ (half-space reference efficiency): 4.12%

V_D (peak displacement volume of diaphragm: S_D x X_{max}):

..... 1.04 liters (0.036 ft³)

S_D (effective diaphragm area): 0.05 m² (78 in.²)

X_{max} (peak linear displacement of diaphragm):

..... 4.06 mm (0.16 in.)

R_v (dc resistance of voice coil): 6.0 ohms ±10%

HF: 25.4-mm (1-in.) exit high-frequency driver

Input Terminals:

Dual 0.205-series spade terminals

Replacement LF: 812-2874

Replacement HF: 833-990

Dimensions:

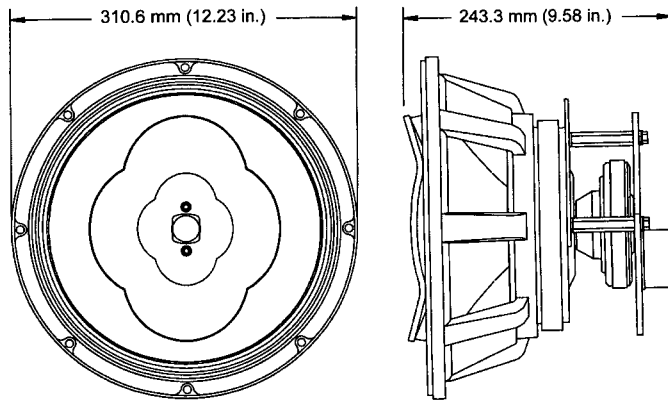
Diameter: 311 mm (12.23 in.)

Depth: 243 mm (9.6 in.)

Net Weight: 9.5 kg (21 lb)

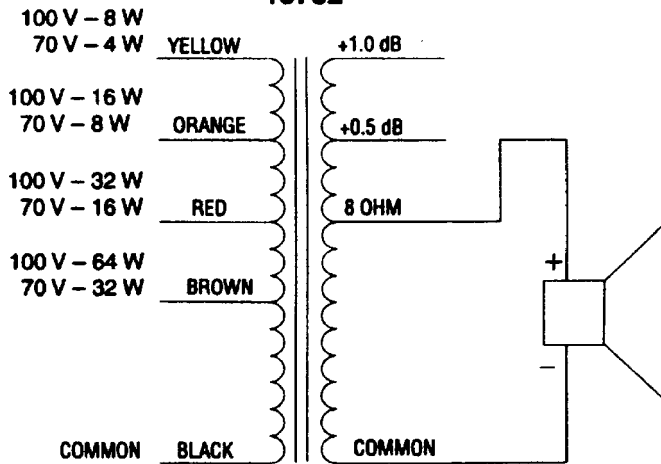
Shipping Weight: 12.2 kg (26.9 lb)

Finish: Black enamel

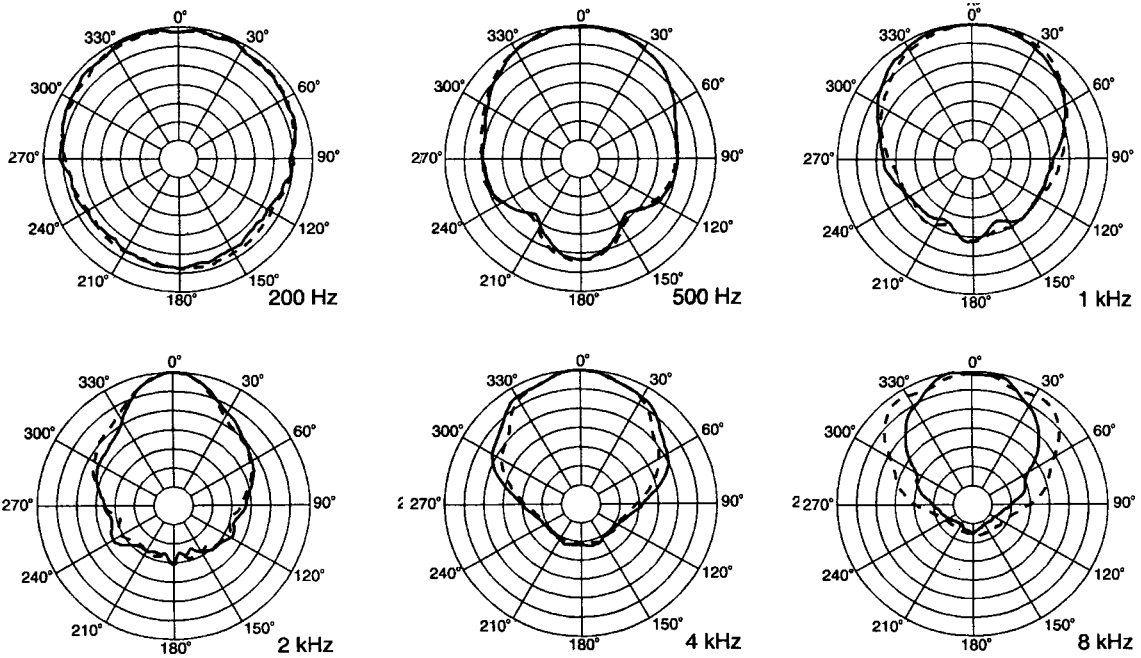


Dimensions

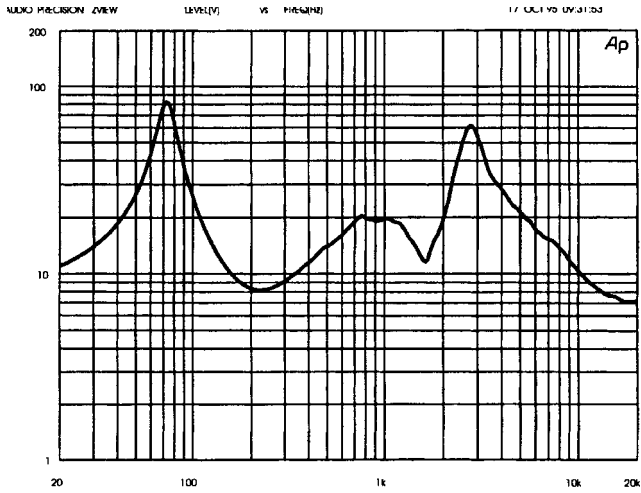
15732



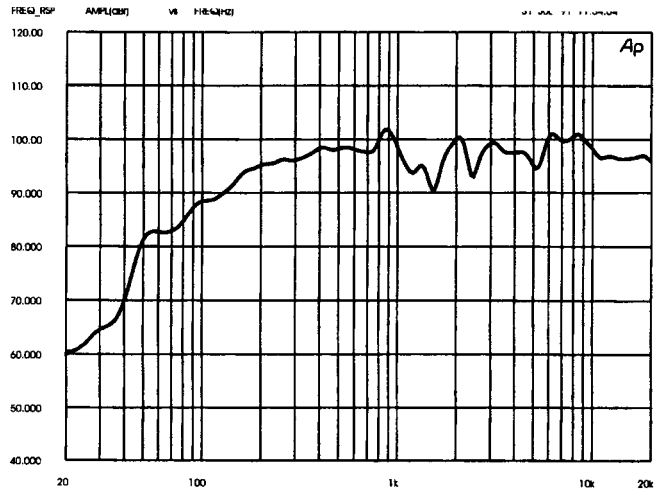
Wiring Diagram



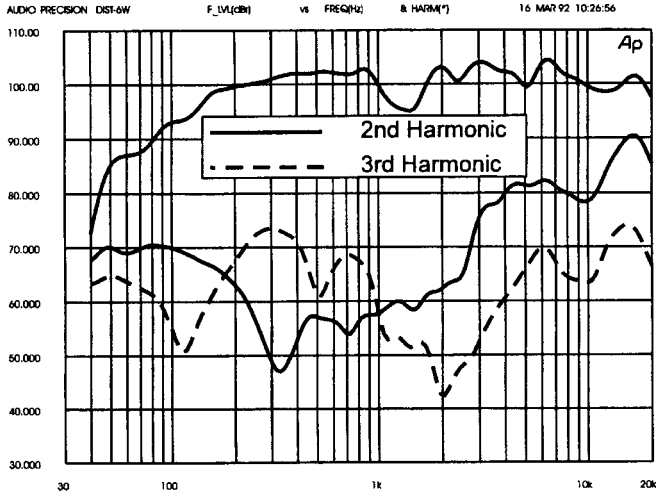
Polar Response Charts



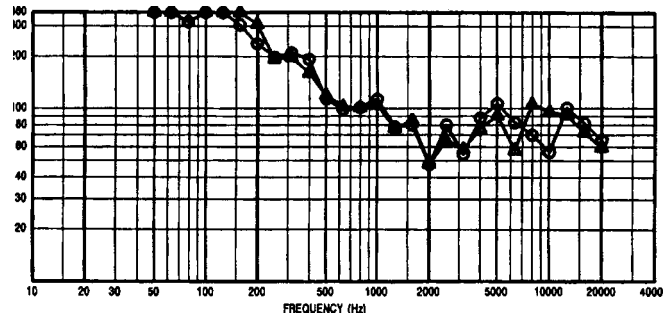
925-8B Impedance (log scale)



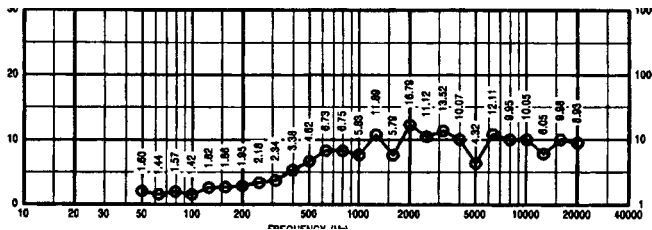
925-8B Frequency Response
(On axis, 1 watt/1 meter, anechoic environment)



925-8B Harmonic Distortion
at 0.1 rated power (25W)⁵



925-8B Beamwidth



925-8B Directivity

America:

USA: Telex Communications Inc. 12000 Portland Ave South, Burnsville, MN 55337, USA, Phone: 952-884-4051, Fax: 952-884-0043
Western Canada: PAG Canada. 23 Hawkesbury Crescent, Winnipeg, MB R3P-1Y6, Canada, Phone: 888-850-8811, Fax: 204-489-7614
Eastern Canada: PAG Canada. 728 Eglinton Ave. East, Toronto, ON M4G 2K7, Canada, Phone: 800-881-1685, 416-431-4975, Fax: 416-431-4588
Quebec: Acoustik GE Inc. 5715 Kincourt, Montréal, PO H4W 1Y7, Canada, Phone: 866-369-2864, 514-369-2864, Fax: 514-487-9525
Mexico: Telex Communications de Mexico. Parque Chapultepec 66-201, Naucalpan, Edo. Mex. 53390, Mexico, Phone: +52 555 358-5434, Fax: +52 555 358-5588

Latin America: Telex Communications Inc. 12000 Portland Ave South, Burnsville, MN 55337, USA, Phone: 952-887-7491, Fax: 952-887-9212

Europe:

Germany: Telex EVI Audio GmbH. Hirschberger Ring 45, D 94315, Straubing, Germany, Phone: +49 9421-706 0, Fax: +49 9421-706 265
France: EVI Audio France S.A. Parc de Courcerin, Allée Lech Walesa, F 77185 Lognes, France, Phone: +33 1-6480-0090, Fax: +33 1-6006-5103
UK: Telex Communications Ltd. 4, The Willows Centre, Willow Lane, Mitcham, Surrey CR4 4NX, UK, Phone: +44 208 646 7114, Fax: +44 208 640 7583

Africa & Middle-East: Telex EVI Audio GmbH. Hirschberger Ring 45, D 94315, Straubing, Germany, Phone: +49 9421-706 0, Fax: +49 9421-706 265

Asia & Pacific Rim:

Japan: EVI Audio Japan Ltd. 5-3-8 Funabashi, Setagaya-Ku, Tokyo, Japan 156-0055, Phone: +81 3-5316-5020, Fax: +81 3-5316-5031
Australia: EVI Audio (Aust) Pty Ltd. Slough Business Estate, Unit 23, Silverwater, N.S.W. 2128, Australia, Phone: +61 2-9648-3455, Fax: +61 2-9648-5585
China: EVI Audio (HK) Ltd. Unit E & F, 21F, Luk Hop Industrial Bldg., 8 Luk Hop St., San PO Kong, Kowloon, Phone: +852 2351-3628, Fax: +852 2351-3329

Singapore: Telex Pte. Ltd. 3015A Ubi Road 1, 05-10 Kampong Ubi Industrial Estate, Singapore 408705, Phone: +65 746-8760, Fax: +65 746-1206

www.electrovoice.com • Telex Communications, Inc. • www.telex.com

© Telex Communications, Inc. 02/2001
Part Number 38109-866 Rev A



Electro-Voice®

U.S.A. and Canada only.

**For customer orders, contact the Customer Service department
at
800/392-3497 Fax: 800/955-6831**

**For warranty repair or service information, contact the Service
Repair department at 800/685-2606**

For technical assistance, contact Technical Support at 866/78 AUDIO

Please refer to the Engineering Data Sheet for warranty information.

Specifications subject to change without notice.