

Figure 1:
Rigging Hardware for the Plasma P1

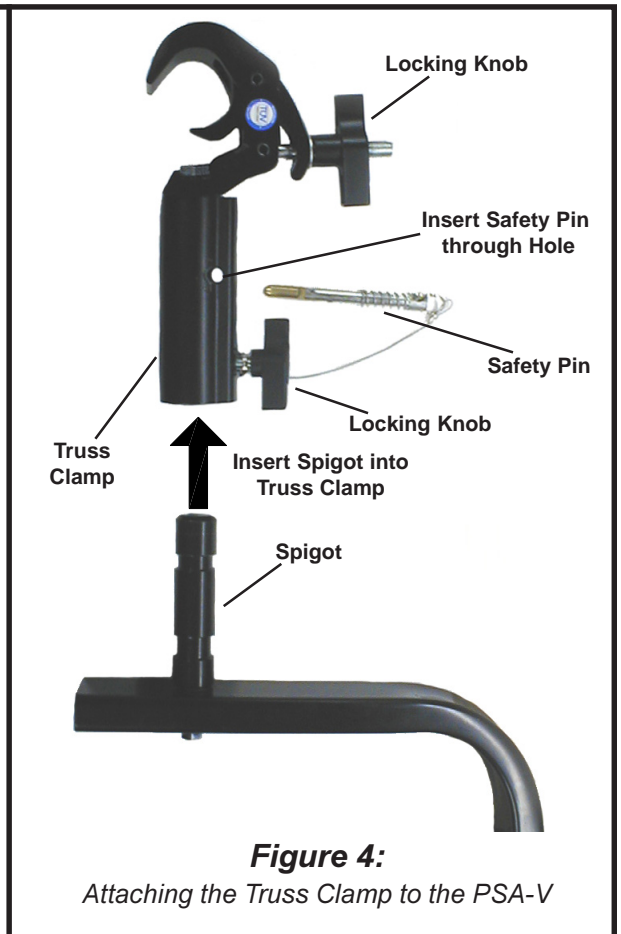
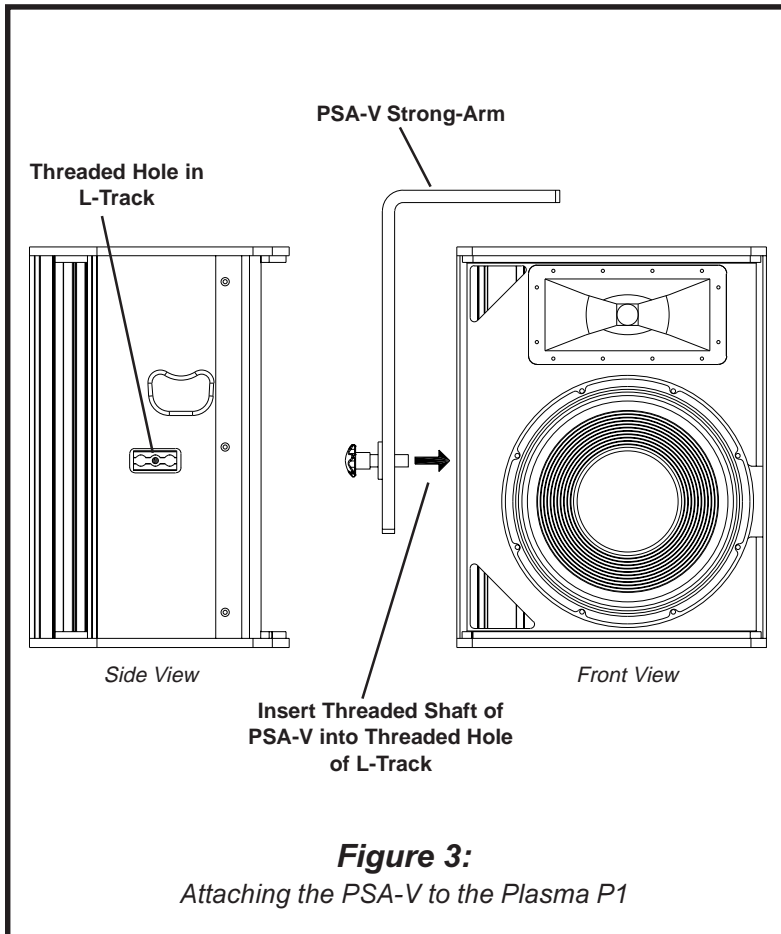


Figure 2:
Suspending the Plasma P1

The Plasma P1 has an L-track embedded into the top and side of the enclosure to provide convenient multi axis suspension and attachment points for the PSA-V suspension arm. Figure 1 shows the PSA-V with optional truss clamp (part number D112941), Figure 2 shows the arm installed on a Plasma P1. The spigot supplied with the PSA-V is designed to mate with the truss clamp and is sold separately. The spigot can be replaced by a rated 0.5" forged steel shoulder eyebolt, or attached to other rated hardware supplied by the user. All components attached to the Strong Arm should be load rated for a minimum safe working load of 100 pounds and are the responsibility of the user.



WARNING: *Suspending any object is potentially dangerous and should only be attempted by individuals who have a thorough knowledge of the techniques and regulations of rigging objects overhead. Electro-Voice® strongly recommends that Plasma speakers be suspended taking into account all current national, federal, state and local regulations. It is the responsibility of the installer to ensure that Plasma speakers are safely installed in accordance with all such regulations. If Plasma speakers are suspended, Electro-Voice® strongly recommends that the system be inspected at least once a year. If any sign of weakness or damage is detected, remedial action should be taken immediately.*



Each P1 has three L-tracks embedded, one on the top, one on the bottom, and one on the flat side. Each L-track has a threaded hole in the center, this threaded hole is used to mount the PSA-V as shown in Figure 3. Align the PSA-V's threaded shaft with the L-track's threaded hole and carefully screw it in. The knob can now be hand tightened to position the P1 at the angle desired.

If used with the optional truss clamp carefully insert the spigot into the truss clamp as shown in Figure 4 and insert the safety pin. **Make sure to push the safety pin all the way in and bend the tip over to secure it in place.** The PSA-V with Truss clamp and Plasma P1 can now be carefully attached to a truss. The user should make certain the truss is capable of safely supporting the Plasma P1. The Plasma P1 with arm can now be rotated to the desired position, when aimed, tighten the locking knob on the truss clamp to secure the spigot and arm in position. Good rigging practice includes using a second safety point. Please connect a second L-track on the Plasma P1 using a rated stud fitting and hardware to a secure suspension point.



12000 Portland Avenue South, Burnsville, MN 55337
Phone: 952/884-4051, Fax: 952/884-0043

www.electrovoice.com

© Telex Communications, Inc. 12/2003
Part Number 38110-333 Rev B

U.S.A. and Canada only. For customer orders, contact Customer Service at:
800/392-3497 Fax: 800/955-6831

Europe, Africa, and Middle East only. For customer orders, contact Customer Service at:
+ 49 9421-706 0 Fax: + 49 9421-706 265

Other International locations. For customer orders, contact Customer Service at:
+ 1 952 884-4051 Fax: + 1 952 736-4212

For warranty repair or service information, contact the Service Repair department at:
800/685-2606

For technical assistance, contact Technical Support at: 866/78AUDIO

Specifications subject to change without notice.